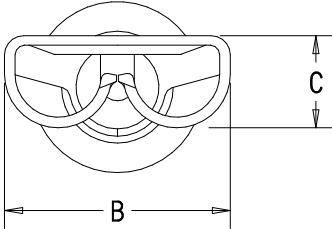


Part number		Wire range AWG (mm ²)	Tab size	Housing color	Max. Wire Insul. Dia.	Dimensions (in.)		
Prefix	PK					A $\begin{smallmatrix} \pm.015 \\ (0.4) \end{smallmatrix}$	B $\begin{smallmatrix} \pm.010 \\ (0.3) \end{smallmatrix}$	C $\begin{smallmatrix} \pm.010 \\ (0.3) \end{smallmatrix}$
DV18-187B	-C -M -MY	22-18 (.5-1.5)	.187 X .032 (4.8 X 0.8)	Red	.150 (3.81)	.75 (19.1)	.23 (5.8)	.10 (2.5)
* DV14-187B	-C -M	16-14 (1.5-2.5)	.187 X .032 (4.8 X 0.8)	Blue	.170 (4.32)	.75 (19.1)	.23 (5.8)	.10 (2.5)
DV18-188B	-C -M -MY	22-18 (.5-1.5)	.187 X .020 (4.8 X 0.5)	Red	.150 (3.81)	.76 (19.3)	.23 (5.8)	.10 (2.5)
* DV14-188B	-C -M	16-14 (1.5-2.5)	.187 X .020 (4.8 X 0.5)	Blue	.162 (4.11)	.79 (20.1)	.23 (5.8)	.10 (2.5)



Notes:

1. Used for:

- A. Stranded copper wire only
- B. 221°F (105°C) maximum temperature rating
- C. 600V maximum voltage rating

2. Package quantity:

- A. Standard: -C = 100
- B. Bulk : -M = 1000, -MY = 1000

3. Material:

- A. Stamping: .016 (0.41) thick tin plated brass
- B. Housing : Vinyl

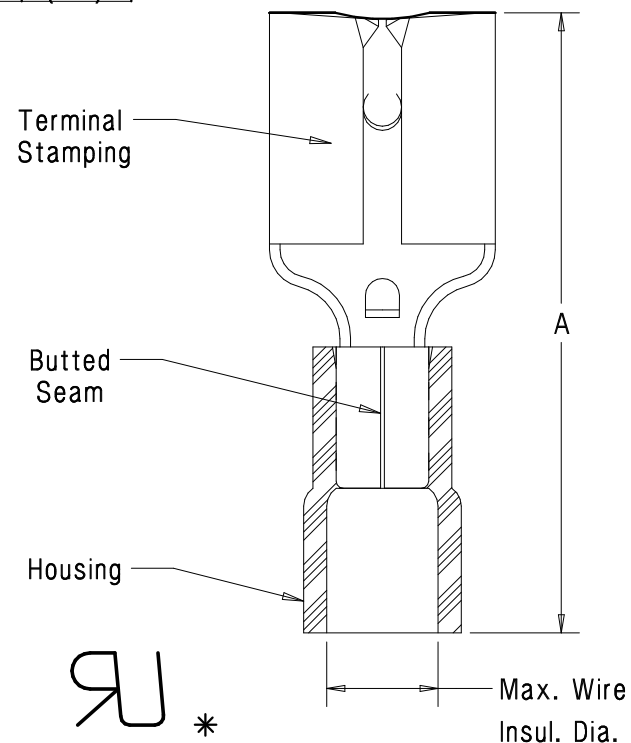
4. Wire strip length: $\frac{1}{4} \begin{smallmatrix} +1/32 \\ -0 \end{smallmatrix} \begin{smallmatrix} +0.8 \\ -0 \end{smallmatrix}$ (6.3)

5. Initial insertion force :12 LB (53N) maximum
Initial withdrawal force: 12 LB (53N) maximum
6 LB (27N) minimum

6. Installation tool: CT-520, CT-1525

- A. U.L. Listed & CSA Certified
- B. U.L. Recognized

7. Dimensions in brackets are in millimeters or mm²



LISTED
20H3
E78522



CERTIFIED
LR31212



RECOGNIZED
E78522

A41554_05

05	12/06	DAW	DAW	DV18-188B .150 MAX. WIRE INSUL. DIA. WAS .136, .76 "A" LGTH. WAS .79. REMOVED CUTOFF TAB FROM DISCONNECT ILLUSTRATION	TR00190	TRO	LA	<p>TINLEY PARK, ILLINOIS</p> <p>Vinyl insulated barrel female disconnect butted seam (.187 tab size)</p>			
04	6/06	DAW	DAW	REMOVED MAX. AMPERAGE NOTE	TR00134	TRO	LA				
03	5/05	JHNU	LA	ADDED PACKAGING CODE "MY" TO DRAWING.	012743	TRO	LA				
02	5/98	TM	JW	ADDED CT-1525 TO TOOL NOTE	06872	TK	LA				
REV	DATE	BY	CHK	DESCRIPTION	ECN	PM	CUST				
					ECN	PM	CUST	CAD FILE	A41554_05	DRAWING NO	A41554